



## **Vehicle Standard (Australian Design Rule 61/00 – Vehicle Marking) 2006**

I, JAMES ERIC LLOYD, Minister for Local Government, Territories and Roads,  
determine this vehicle standard under subsection 7 (1) of the *Motor Vehicle Standards  
Act 1989*.

Dated            3 September 2006

[SIGNED]

James Eric Lloyd

Minister for Local Government, Territories and Roads

**CONTENTS**

61.0.	LEGISLATIVE PROVISIONS.....	3
	PURPOSE AND SCOPE .....	3
	APPLICABILITY .....	3
61.1.	DEFINITIONS .....	4
61.2.	IDENTIFICATION NUMBER.....	4
61.3.	'COMPLIANCE PLATE' .....	5
61.4.	ENGINE NUMBER.....	5
61.5.	VEHICLE PLATE .....	5
61.6.	REGISTRATION PLATES AND LABEL HOLDERS .....	6
61.7.	VISIBILITY OF TRAY .....	7

**61.0. LEGISLATIVE PROVISIONS**

## 61.0.1. NAME OF STANDARD

61.0.1.1. This Standard is the Vehicle Standard (Australian Design Rule 61/00 – Vehicle Marking) 2006.

61.0.1.2. This Standard may also be cited as Australian Design Rule 61/00 — Vehicle Marking.

## 61.0.2. COMMENCEMENT

61.0.2.1. This Standard commences on the day after it is registered.

## 61.0.3. REPEAL

61.0.3.1. This Standard repeals each vehicle standard with the name Australian Design Rule 61/00 — Vehicle Marking that is:

(a) made under section 7 of the Motor Vehicle Standards Act 1989; and

(b) in force at the commencement of this Standard.

61.0.3.2. This Standard also repeals each instrument made under section 7 of the Motor Vehicle Standards Act 1989 that creates a vehicle standard with the name Australian Design Rule 61/00 — Vehicle Marking, if there are no other vehicle standards created by that instrument, or amendments to vehicle standards made by that instrument, that are still in force at the commencement of this Standard.

**PURPOSE AND SCOPE**

This Australian Design Rule (ADR) is part of the Australian motor vehicle standards system and is a national standard for the purposes of the Motor Vehicle Standard Act 1989.

The function of this Australian Design Rule is to specify requirements for vehicle marking.

**APPLICABILITY**

This ADR applies to the design and construction of vehicles as set out in the table hereunder.

The Package 13 issue of the Rule permits ADR 43/01 as an "Acceptable Prior Rule".

Vehicles meeting the requirements of any of the "Acceptable Prior Rules" as shown below in the Applicability Table for a particular category shall be deemed to comply with this Rule

\*\* provided that for ME, NC and "T group" vehicles the requirements of Clause 61.5 are met.

Vehicle Category	ADR Category Code *	UNECE Category Code *	Manufactured on or After	Acceptable Prior Rules
Moped 2 wheels	LA	L1	1 March 1992	43/01
Moped 3 wheels	LB	L2	1 March 1992	43/01
Motor cycle	LC	L3	1 March 1992	43/01
Motor cycle and sidecar	LD	L4	1 March 1992	43/01
Motor tricycle	LE	L5	1 March 1992	43/01
Passenger car	MA	M1	1 Jan 1992	43/01
Forward-control passenger vehicle	MB	M1	1 Jan 1992	43/01
Off-road passenger vehicle	MC	M1	1 Jan 1992	43/01
Light omnibus	MD	M2		
up to 3.5 tonnes 'GVM' and up to 12 seats	MD1		1 July 1991	43/01
up to 3.5 tonnes 'GVM' and more than 12 seats	MD2		1 July 1991	43/01
over 3.5 tonnes and up to 4.5 tonnes 'GVM'	MD3		1 July 1991	43/01
over 4.5 tonnes and up to 5 tonnes 'GVM'	MD4		1 July 1991	43/01
Heavy omnibus	ME	M3	1 July 1991	43/01 **
Light goods vehicle	NA	N1	1 July 1991	43/01
Medium goods vehicle	NB	N2		
over 3.5 tonnes up to 4.5 tonnes 'GVM'	NB1		1 July 1991	43/01
over 4.5 tonnes up to 12 tonnes 'GVM'	NB2		1 July 1991	43/01
Heavy goods vehicle	NC	N3	1 July 1991	43/01 **
Very light trailer	TA	O1	1 July 1991	43/01 **
Light trailer	TB	O2	1 July 1991	43/01 **
Medium trailer	TC	O3	1 July 1991	43/01 **
Heavy trailer	TD	O4	1 July 1991	43/01 **

## 61.1. DEFINITIONS

61.1.1. Refer to Vehicle Standard (Australian Design Rule Definitions and Vehicle Categories) 2005.

## 61.2. IDENTIFICATION NUMBER

61.2.1. Every vehicle shall have a unique '*Vehicle Identification Number*'. The '*Vehicle Identification Number*' shall comply with the requirements of

61.2.1.1. ISO 3779, "Road Vehicles – Vehicle identification number (VIN) - Content and structure" (Ref. No. ISO 3779 - 1983 (E) );

\* The category code may also be in the format L<sub>1</sub>, L<sub>A</sub> etc.

- 61.2.1.2. ISO 3780, "Road Vehicles – World Manufacturer Identifier (WMI) code" (Ref. No. ISO 3790 - 1993 (E)), and
- 61.2.1.3. ISO 4030, "Road Vehicles – Vehicle Identification Number (VIN) - Location and attachment" (Ref. No. ISO 4030 - 198 (E)), except that
- 61.2.1.3.1. it is permissible to locate the '*Vehicle Identification Number*' on the left-hand side of the vehicle; and
- 61.2.1.3.2. Clause 4.2 of the ISO 4030 Standard is not applicable in Australia.
- 61.2.2. Alternative Standards
- 61.2.2.1. The technical requirements of FMVSS 115 - "Vehicle Identification Number" (44 FR 17,498 to 17 or 48 FR 22,569 to 22,572; as amended by 50 FR 4,222) shall be deemed to be equivalent in application to the requirements specified in Clause 61.2.1 above.
- 61.2.2.2. The technical and administrative requirements of Australian Standard MP 55-1988 "VIN Codes" shall be deemed to be equivalent in application to the requirements specified in Clause 61.2.1 above, except that
- 61.2.2.2.1. it is permissible to locate the '*Vehicle Identification Number*' on the left-hand side of the vehicle.
- 61.2.3. Reporting
- The '*manufacturer*' shall furnish a list of '*Vehicle Identification Numbers*' to the '*Administrator*' or his designated nominee at agreed periodical intervals.
- 61.3. '*COMPLIANCE PLATE*'**
- Every motor vehicle and every applicable trailer shall bear an '*Approved Compliance Plate*' which shall be placed in a conspicuous position on the vehicle.
- 61.4. ENGINE NUMBER**
- An identification number shall be legible and permanently stamped, cast, laser engraved or a combination of these upon the main component of the engine at the time of its manufacture and such numbers shall be located where it can be readily seen when the engine is installed in the motor vehicle for which it was intended.
- 61.5. VEHICLE PLATE**
- On every ME, NC and T group vehicle there shall be permanently affixed a plate mounted in a prominent position containing information in accordance with the following requirements:
- 61.5.1. The information shall be embossed, indented, etched or engraved on a durable label which is welded, riveted or otherwise permanently attached in a readily visible position.

- 61.5.2. The information shall be in the English language in block letters and numerals which shall not be less than 2.5 mm in height, and shall comprise:
- '*Manufacturer's*' Name;
  - Vehicle Model;
  - '*Vehicle Identification Number*';
  - '*Date of Manufacture*' – unless fitted with a '*Compliance Plate*'
  - '*Gross Combination Mass*' (kg) - for NC Category vehicles;
  - Maximum towing capacity (ie the '*Aggregate Trailer Mass*' for which the towing vehicle is designed) (kg) for ME Category vehicles;
  - '*Aggregate Trailer Mass*' (kg) - for trailers.
- 61.5.3. In the case of a heavy goods vehicle designed for use in a '*Road Train*' or '*B-Double*' the words 'ROAD TRAIN' and/or 'B-DOUBLE'.
- 61.5.4. In the case of a trailer designed for use in a '*Road Train*' up to 125t '*Gross Combination Mass*', the words "ROAD TRAIN TRAILER".
- 61.5.5. Additional information may be included at the discretion of the '*Manufacturer*'

## **61.6. REGISTRATION PLATES AND LABEL HOLDERS**

- 61.6.1. Registration Plates
- 61.6.1.1 All Vehicles other than L-Group Vehicles:
- 61.6.1.1.1. provision shall be made for mounting a registration plate (as shown in Figure 1) to be affixed to the rear of the vehicle so that no part of such plate will be more than 1,300 mm from the ground.
- 61.6.1.1.2. provision shall be made for mounting a registration plate (as shown in Figure 1) to be affixed to the front of the motor vehicle forward of and parallel to the front '*Axle*' so that no part of such registration plate will be more than 1,300 mm from the ground.
- 61.6.1.1.3. no part of a vehicle, including its standard equipment, regular production options or '*Equipment*' shall be so located as to obscure any part of the registration plate(s).
- 61.6.1.2. L-Group Vehicles Only:
- 61.6.1.2.1. provision shall be made for mounting a registration plate to the rear of the vehicle so that the centre of each registration plate shall not be low than 300 mm from the ground.
- 61.6.2. Label Holder
- 61.6.2.1. All vehicles, other than L-Group vehicles, which have no windscreen, shall have a holder for the registration label affixed to their left-hand side in such a position as to be clearly visible to a person facing the holder at a distance of 6 metres.
- 61.6.2.2. For L-Group vehicles, a holder for the registration label shall be affixed in a conspicuous position on the vehicle.

### 61.7. VISIBILITY OF TRAY

On every vehicle which, together with the 'Equipment' thereof is 2.2 metres or more wide and which has a body of the tray type and does not have a 'Rear Marking Plate' (refer to ADR 13/... 'Installation of Lighting and Light-signalling Devices'), there shall be displayed by painting or otherwise across the full width of the rearmost portion of the tray of such vehicle, a horizontal band having a uniform depth of a least 75 mm and being white or silver in colour and clearly visible.

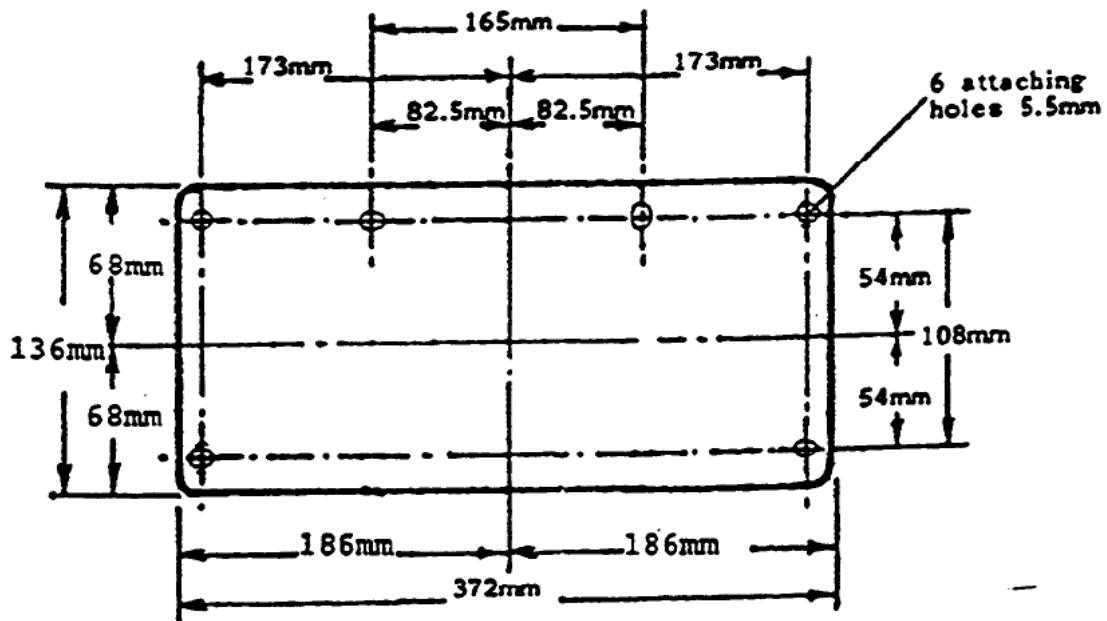


Figure 1

#### TOLERANCES:

External Dimensions	$\pm 1$ mm
Diameter of Fixing Holes	$\pm 0.5$ mm
Other Dimensions	$\pm 0.5$ mm